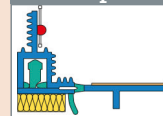




A30 - plus



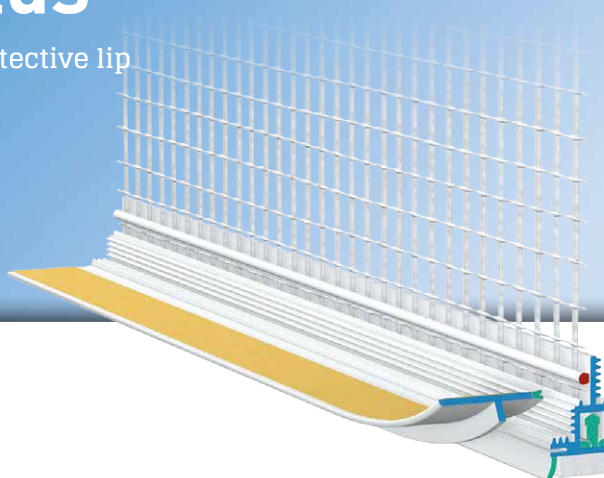
APU®

PLASTER JOINT PROFILES FOR INTERIOR AND EXTERIOR PLASTERING

Telescopic window reveal bead

IDEAL-plus

With flexible edge and protective lip



The **APU telescopic window reveal bead IDEAL-plus** is used indoor and outdoor plaster systems as specified by the latest APU selection criteria. Within the reveal the profile is stuck flush to the structural element there and after completion of the plastering work forms a clean and reliable termination of the plaster.

The profile comes with a self-adhesive PE foam tape, which ensures a watertight, lasting seal. A TPE protective lip protects the PE foam tape and forms a visually clean termination with the structural element. The integrated telescopic mechanism can absorb movements in any direction in the area around the joint. There is a fabric window reveal bead welded onto the profile. It provides added reliability for the interlocking within the plaster. There is a piece of self-adhesive tape on protective flap in order to secure the third-party protective film. This protects the window during the plastering work. After completion of these tasks, the protective flap is pulled off and what is created is a clean edge to the plaster.



Design

	ITEM NO.	LENGTH	PACKAGING UNIT	WEIGHT (per PU)
--	----------	--------	----------------	-----------------

IDEAL-plus telescopic window reveal bead with fabric

A30-plus	A30-24PLUS	2.4 m	25 bars = 60 m	8 kg
----------	-------------------	-------	----------------	------

Features

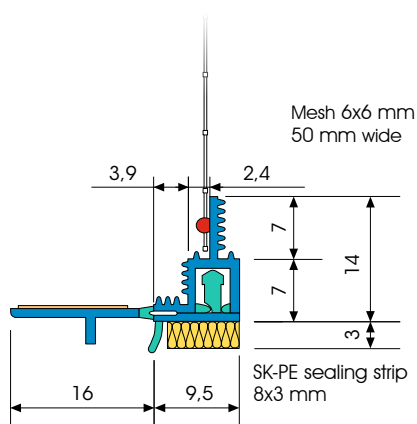
	TELESCOPIC WINDOW REVEAL BEAD
Material	<ul style="list-style-type: none"> ■ Rigid PVC manufactured under DIN-16941 ■ TPE manufactured under DIN-16941
Protective flap	<ul style="list-style-type: none"> ■ Detachable with soft TPE connection and double-sided adhesive tape
Features	<ul style="list-style-type: none"> ■ Telescopic bar with flexible TPE connection
Seal	<ul style="list-style-type: none"> ■ PE foam tape 8x3 mm
Mesh	<ul style="list-style-type: none"> ■ Min. 160g/m² approved for compound heat insulation systems ■ 5 cm wide – MW 6x6 mm ■ Ultrasonic welded

Important information

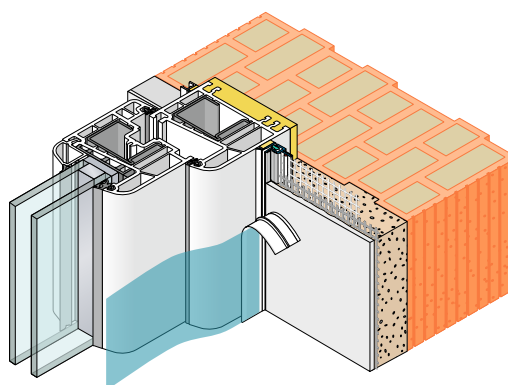
Storage	Always store profiles laid down in a dry place.
Test of adhesion	Perform adhesion test. ▶ See general tips – APU test of adhesion
Other applications	Any applications not clearly described in the documents may be implemented only after consultation with the plaster or ETICS manufacturer.

For information on materials, areas of use, tests and correct application, please refer to our 'General Advice and Information'

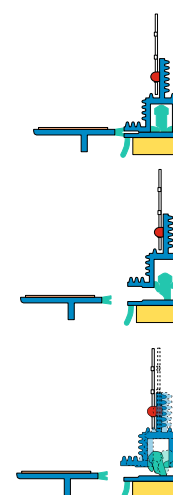
Details



Sectional drawing in mm



Application drawing



Function