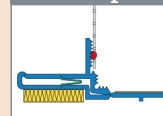




W34 - pro



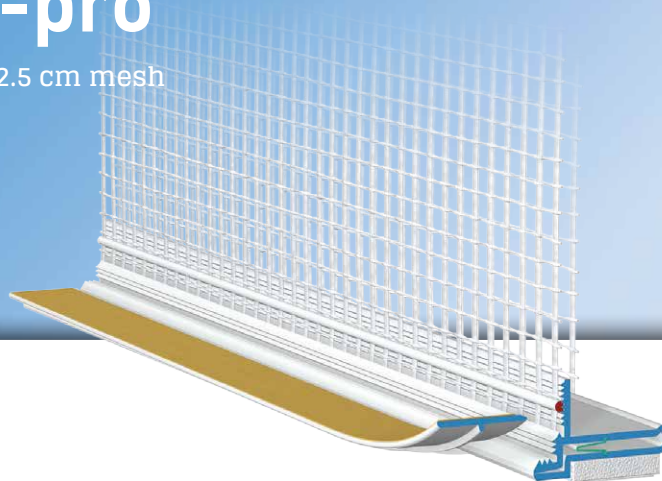
# APU®

PROFILES FOR COMPOUND HEAT INSULATION SYSTEMS

## Window reveal bead with mesh

# TORINO-pro

With shadow gap and 12.5 cm mesh



The **APU window reveal bead with mesh TORINO-pro** is used in compound heat insulation systems as specified in the latest APU selection criteria. Within the reveal the profile is stuck flush to the structural element there and after completion of the plastering work forms a clean and reliable termination of the plaster with shadow gap.

The profile comes with a self-adhesive PE foam tape, which ensures a watertight, lasting seal. After the protective flap is pulled off, the integrated TPE loop can absorb movements in the area around the joint. There is a fabric window reveal bead welded onto the profile. Each bar has a fabric overhang on one side of 10cm in the lengthways direction. There is a piece of self-adhesive tape on protective flap in order to secure the third-party protective film. This protects the window during the plastering work. After completion of these tasks, the protective flap is pulled off and what is created is a clean edge to the plaster.



W34 - pro

## Design

	ITEM NO.	LENGTH	PACKAGING UNIT	WEIGHT (per PU)
--	----------	--------	----------------	-----------------

### TORINO-pro window reveal bead with mesh

W34 - pro

With shadow gap and 12.5 cm mesh **W34-24PRO** 2.4 m 25 bars = 60 m 10.5 kg

## Features

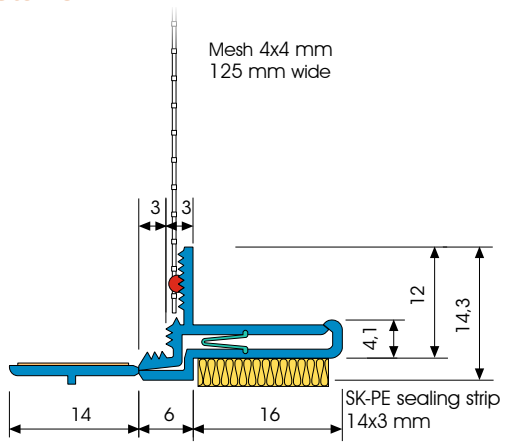
	TORINO-PRO WINDOW REVEAL BEAD WITH MESH
Material	<ul style="list-style-type: none"> <li>■ Rigid PVC manufactured under DIN-16941</li> <li>■ TPE manufactured under DIN-16941</li> </ul>
Protective flap	<ul style="list-style-type: none"> <li>■ Detachable with soft TPE connection and double-sided adhesive tape</li> </ul>
Features	<ul style="list-style-type: none"> <li>■ Flexible TPE loop</li> </ul>
Seal	<ul style="list-style-type: none"> <li>■ PE foam tape 14 x 3 mm</li> </ul>
Mesh	<ul style="list-style-type: none"> <li>■ Min. 160 g/m<sup>2</sup> approved for compound heat insulation systems</li> <li>■ 12.5 cm wide – MW 4 x 4 mm</li> <li>■ Ultrasonic welded</li> </ul>
Inspections	<ul style="list-style-type: none"> <li>■ VDPM leaflet: Class A with adhesive connection</li> <li>■ Ö-Norm 6400-2: Class III</li> </ul>

## Important information

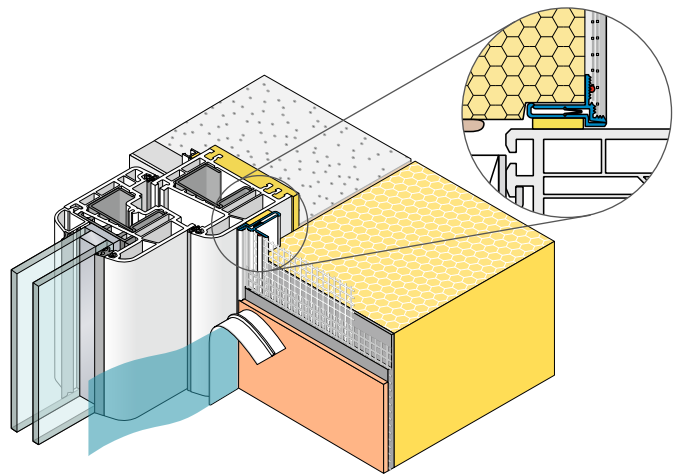
Storage	Always store profiles laid down in a dry place.
Test of adhesion	Perform adhesion test. ▶ See general tips – APU test of adhesion
Other applications	Any applications not clearly described in the documents may be implemented only after consultation with the plaster or ETICS manufacturer.
Selection criteria	Adhere to the latest APU selection criteria. ▶ see APU selection criteria

For information on materials, areas of use, tests and correct application, please refer to our 'General Advice and Information'

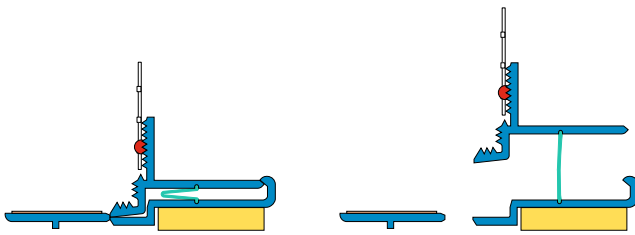
## Details



Sectional drawing in mm



Application drawing



Function