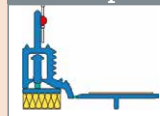




W35 - pro



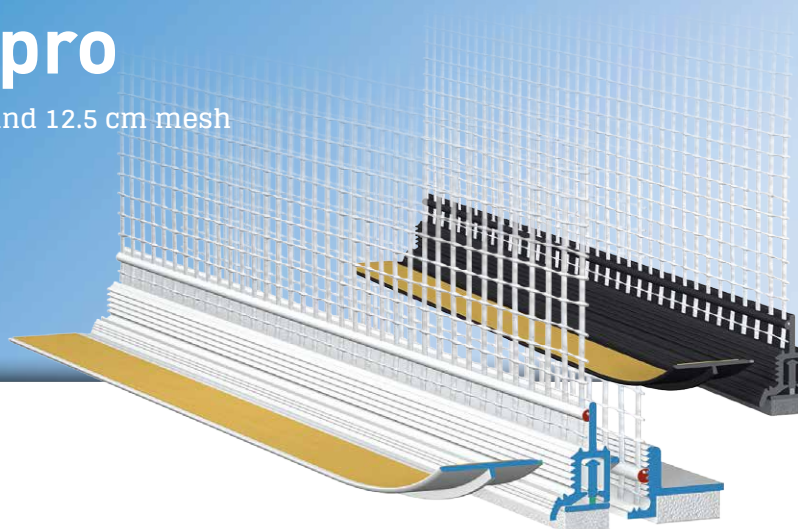
# APU®

PROFILES FOR COMPOUND HEAT INSULATION SYSTEMS

## Telescopic window reveal bead with mesh

# FLEX-pro

With shadow gap and 12.5 cm mesh



The **APU telescopic window reveal bead with mesh FLEX-plus** is used in compound heat insulation systems as specified in the latest APU selection criteria.

In front of the reveal insulation the profile is stuck flush to the structural element there and after completion of the plastering work forms a clean and reliable termination of the plaster with shadow gap.

The profile comes with a self-adhesive PE foam tape, which ensures a watertight, lasting seal. The integrated telescopic mechanism can absorb movements in any direction in the area around the joint. The profiles can be joined overlapping where the elements abut. There is a fabric window reveal bead welded onto the profile. Each bar has a fabric overhang on one side of 10cm in the lengthways direction. There is a piece of self-adhesive tape on protective flap in order to secure the third-party protective film. This protects the window during the plastering work. After completion of these tasks, the protective flap is pulled off and what is created is a clean edge to the plaster.



## Design

	ITEM NO.	LENGTH	PACKAGING UNIT	WEIGHT (per PU)
--	----------	--------	----------------	-----------------

### FLEX-pro telescopic window reveal bead with mesh

W35 - pro				
With shadow gap and 12.5 cm mesh	<b>W35-24PRO</b>	2.4 m	25 bars = 60 m	8.6 kg
Grey, similar to RAL 7016	<b>W35-24PRO-7016</b>	2.4 m	25 bars = 60 m	8.6 kg

## Features

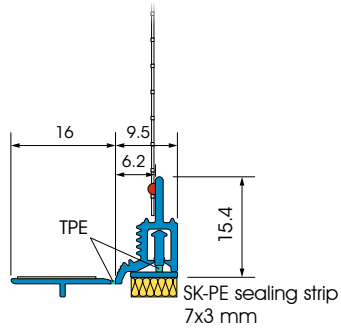
	FLEX-PRO TELESCOPIC WINDOW REVEAL BEAD WITH MESH
Material	<ul style="list-style-type: none"> <li>■ Rigid PVC manufactured under DIN-16941</li> <li>■ TPE manufactured under DIN-16941</li> </ul>
Protective flap	■ Detachable with soft TPE connection and double-sided adhesive tape
Features	■ Telescopic bar with flexible TPE connection
Seal	■ PE foam tape 7x3 mm
Mesh	<ul style="list-style-type: none"> <li>■ Min. 160 g/m<sup>2</sup> approved for compound heat insulation systems</li> <li>■ 12.5 cm wide – MW 4x4 mm</li> <li>■ Ultrasonic welded</li> </ul>
Inspections	<ul style="list-style-type: none"> <li>■ VDPM leaflet: Class A with adhesive connection</li> <li>■ Ö-Norm 6400-2: Class III</li> </ul>

## Important information

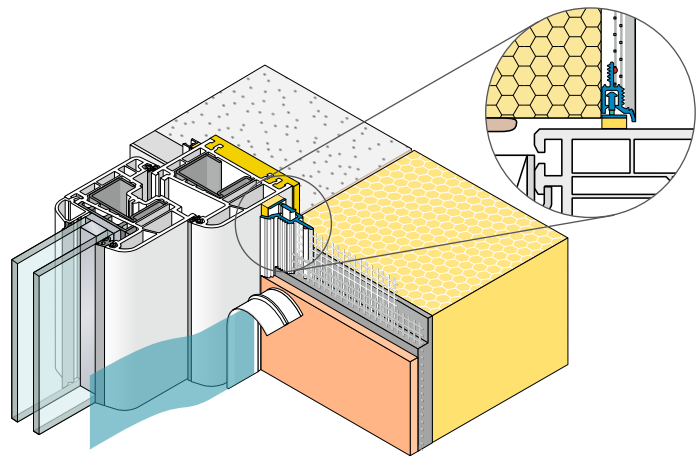
Storage	Always store profiles laid down in a dry place.
Test of adhesion	Perform adhesion test. ▶ See general tips – APU test of adhesion
Other applications	Any applications not clearly described in the documents may be implemented only after consultation with the plaster or ETICS manufacturer.
Selection criteria	Adhere to the latest APU selection criteria. ▶ see APU selection criteria

For information on materials, areas of use, tests and correct application, please refer to our 'General Advice and Information'

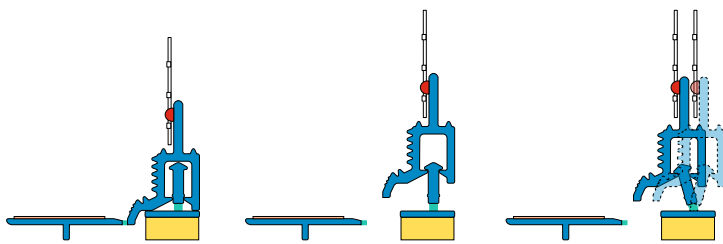
## Details



Sectional drawing in mm



Application drawing



Function