



W42



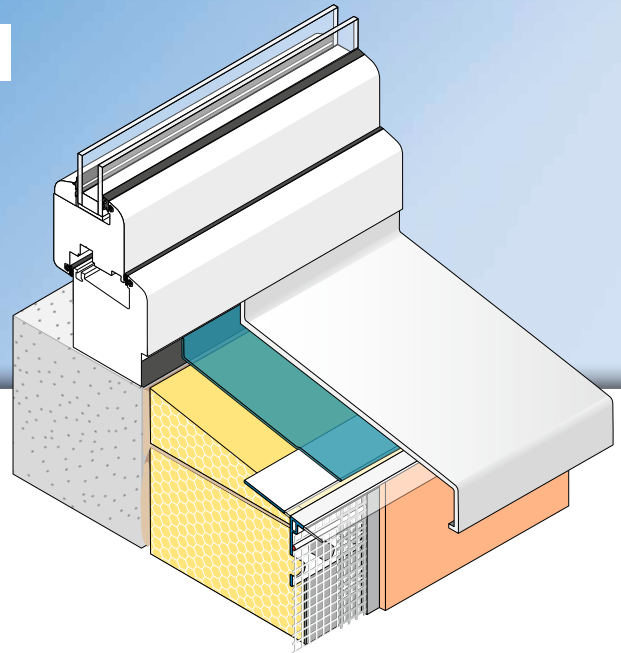
APU®

PROFILES FOR COMPOUND HEAT INSULATION SYSTEMS

Stop bead with mesh

FEBA-TEX-UNI

With soft drip edge and
12.5 cm mesh



The **APU stop bead with mesh FEBA-TEX-UNI** is used in compound heat insulation systems. When a second sealant layer is being created, it forms a clean plaster termination under the window sill.

The profile has 2 plastic wings. As a result of the specified profile contour the required slope of at least 5 degrees is adhered to around the window sill. The top wing, which has no holes, is for applying a suitable sealing film. It is connected together with a

soft connection and can thus be flexibly adapted to the appropriate angle of slope. The bottom wing has holes. There is a fabric window reveal bead welded onto the profile. Each bar has a fabric overhang on one side of 10cm in the lengthways direction. Using the plug connectors (Z14) provided, the profiles can be aligned together flush where they butt up with each other. The soft, transparent drip edge accurately guides water away.



W42



Fitting

VARIANT 1:

Design 2 Sealing layer with sealing film

- 1 Cut the stop bead with mesh to length using suitable trimming shears with supporting surface.
- 2 Below the insulation material edge, apply across the full area c.
15 cm of reinforcement base plaster up to the material's edge.
- 3 Position the profile flush up against the insulating material and, as applicable, fix using plastic nails (Z21) or plug connectors (Z14).
- 4 Apply sealing film as per manufacturer's specifications.
- 5 Embed mesh on bottom wing across full area. Push fixing aid into the still damp plaster or pull it out.
- 6 Embed mesh, overlapping, up to the profile's bottom edge.
- 7 After leaving to stand for the required time, apply covering layer of plaster and draw off at the profile's edge.
- 8 Pull off the transparent drip edge's protective film.

VARIANT 2:

Carrying out retrospective installation

- 1 Cut the stop bead with mesh to length using suitable trimming shears with supporting surface.
- 2 Push in profile flush under the window sill and, as applicable, fix using plastic nails (Z21) or plug connectors (Z14).
- 3 The seal under the window sill is to be affixed by others using suitable PUR sealing strip.
- 4 Embed mesh on bottom wing across full area. Push fixing aid into the still damp plaster or pull it out.
- 5 Embed mesh, overlapping, up to the profile's bottom edge.
- 6 After leaving to stand for the required time, apply covering layer of plaster and draw off at the profile's edge.
- 7 Pull off the transparent drip edge's protective film.

Important information

- Any applications not clearly described in the documents may be implemented only after consultation with the plaster or ETICS manufacturer.
- After being set in place on the structural element, profiles with a mesh vane must be promptly embedded. Until then they must be protected from the weather, e.g. sun and wind.